

Aurotek TSB, Inc

Manufacturers of Precision
Thin Section Bearings
LITTLE FALLS, NY

Products | Services | Manufacturing Spec's | Contact Us | About Us | Download Catalog |

ENGINEERING
MANUFACTURING
QUALITY
SALES
SERVICE

NOW AN
AUROTEK
TRADITION

AUROTEK,
*a powerful
friendly business partner*

Aurotek TSB INC manufacturers of Precision thin section bearings from 1 inch to 40 inches I.D.



WE ARE AT YOUR SERVICE!

Voice: 315.823.1406 | Fax: 315.823.1924 | [E-mail](#)

Aurotek TSB, Inc.

Assisting our customers to grow their business by supplying a high quality Precision Thin Section Bearing with Aurotek excellent customer service, fair pricing, on time deliveries and engineering assistance.

Aurotek's manufacturing process has been specifically designed to produce and manufacture the very best precision thin section bearings available worldwide at the best price. As part of this exclusive process, Aurotek assures the very highest and most rigorous examination, testing and inspection standards.

When your needs require the very best precision thin section bearings we encourage you to call Aurotek, the bearing company of choice.

- Standard Industry part number interchange
- Free application engineering services
- Custom orders welcome
- Competitive pricing
- On time delivery
- Certification available with order
- ISO 9001:2000 and AS9100:2004 Rev B. Certified

315.823.1406

AurotekTSBInc@twcny.rr.com

Aurotek TSB, Inc
154 Furnace St.
Little Falls, NY 13365

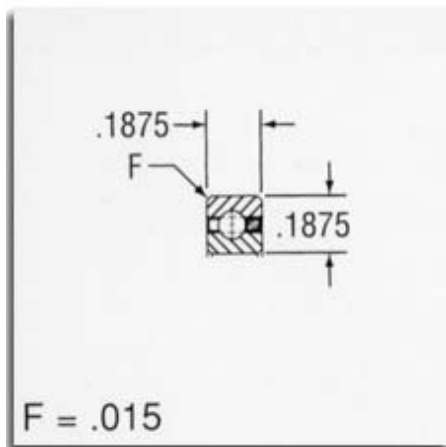
Voice: 315.823.1406
Fax: 315.823.1924

Aurotek TSB, Inc

Manufacturers of Precision
Thin Section Bearings
LITTLE FALLS, NY

Products | Services | Manufacturing Spec's | Contact Us | Download Catalog | About Us | Home

Products



AA Series 3/16" x 3/16"

Type C Interchange

Type X Interchange

Type A Interchange

Industry Part No.	Aurotek Part No.	Industry Part No.	Aurotek Part No.	Industry Part No.	Aurotek Part No.
KAA10CLO	AA10CLO	KAA10XLO	AA10XLO	KAA10AGO	AA10AGO
KAA15CLO	AA15CLO	KAA15XLO	AA15XLO	KAA15AGO	AA15AGO
KAA17CLO	AA17CLO	KAA17XLO	AA17XLO	KAA17AGO	AA17AGO

AA Series 3/16" x 3/16"

A Series 1/4" x 1/4"

B Series 5/16" x 5/16"

C Series 3/8" x 3/8"

D Series 1/2" x 1/2"

F Series 3/4" x 3/4"

G Series 1" x 1"

Sealed Thin Section Bearings

AUROTEK BEARINGS • AA SERIES 3/16" x 3/16"																
AUROTEK PART NO.	DIMENSION IN INCHES					CAPACITIES IN LBS										Appx Weight Pounds
	Bore B	Outside Diam. D	Land Diam. L1	Land Diam. L2	C' Bore Diam. L3	TYPE A				TYPE C & X		TYPE X				
						Radial		Thrust		Radial		Thrust		Moment (Lbs-in)		
						Static	Dyn	Static	Dyn	Static	Dyn	Static	Dyn	Static	Dyn	
AA10	1.000	1.375	1.140	1.235	1.274	355	158	979	454	302	158	734	377	177	93	.026
AA15	1.500	1.875	1.640	1.735	1.774	494	206	1,402	576	413	188	1,055	468	347	151	.039
AA17	1.750	2.125	1.890	1.985	1.990	559	228	1,551	605	474	213	1,156	517	452	198	.045

315.823.1406

AurotekTSBInc@twcny.rr.com

Aurotek TSB, Inc
154 Furnace St.
Little Falls, NY 13365

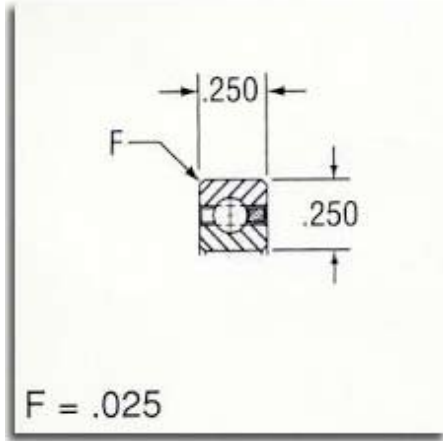
Voice: 315.823.1406
Fax: 315.823.1924

Aurotek TSB, Inc

Manufacturers of Precision
Thin Section Bearings
LITTLE FALLS, NY

Products | Services | Manufacturing Spec's | Contact Us | Download Catalog | About Us | Home

Products



A Series 1/4" x 1/4"

AA Series 3/16" x 3/16"

A Series 1/4" x 1/4"

B Series 5/16" x 5/16"

C Series 3/8" x 3/8"

D Series 1/2" x 1/2"

F Series 3/4" x 3/4"

G Series 1" x 1"

Sealed Thin Section Bearings

Type C Interchange

Industry Part No.	Aurotek Part No.
KAO20CPO	AO20CPO
KAO25CPO	AO25CPO
KAO30CPO	AO30CPO
KAO35CPO	AO35CPO
KAO40CPO	AO40CPO
KAO42CPO	AO42CPO
KAO45CPO	AO45CPO
KAO47CPO	AO47CPO
KAO50CPO	AO50CPO
KAO55CPO	AO55CPO
KAO60CPO	AO60CPO
KAO65CPO	AO65CPO
KAO70CPO	AO70CPO
KAO75CPO	AO75CPO
KAO80CPO	AO80CPO
KAO90CPO	AO90CPO
KA100CPO	A100CPO
KA110CPO	A110CPO
KA120CPO	A120CPO

Type X Interchange

Industry Part No.	Aurotek Part No.
KAO20XPO	AO20XPO
KAO25XPO	AO25XPO
KAO30XPO	AO30XPO
KAO35XPO	AO35XPO
KAO40XPO	AO40XPO
KAO42XPO	AO42XPO
KAO45XPO	AO45XPO
KAO47XPO	AO47XPO
KAO50XPO	AO50XPO
KAO55XPO	AO55XPO
KAO60XPO	AO60XPO
KAO65XPO	AO65XPO
KAO70XPO	AO70XPO
KAO75XPO	AO75XPO
KAO80XPO	AO80XPO
KAO90XPO	AO90XPO
KA100XPO	A100XPO
KA110XPO	A110XPO
KA120XPO	A120XPO

Type A Interchange

Industry Part No.	Aurotek Part No.
KAO20ARO	AO20ARO
KAO25ARO	AO25ARO
KAO30ARO	AO30ARO
KAO35ARO	AO35ARO
KAO40ARO	AO40ARO
KAO42ARO	AO42ARO
KAO45ARO	AO45ARO
KAO47ARO	AO47ARO
KAO50ARO	AO50ARO
KAO55ARO	AO55ARO
KAO60ARO	AO60ARO
KAO65ARO	AO65ARO
KAO70ARO	AO70ARO
KAO75ARO	AO75ARO
KAO80ARO	AO80ARO
KAO90ARO	AO90ARO
KA100ARO	A100ARO
KA110ARO	A110ARO
KA120ARO	A120ARO

AUROTEK BEARINGS • A SERIES 1/4" x 1/4"

AUROTEK PART NO.	DIMENSION IN INCHES					CAPACITIES IN LBS										Appx Weight Pounds
	Bore B	Outside Diam. D	Land Diam. L1	LAND DIAM. L2	C' Bore Diam. L3	TYPE A		TYPE C & X		TYPE X		Moment (Lbs-in)				
						Radial	Thrust	Radial	Thrust	Static	Dyn					
						Static	Dyn	Static	Dyn	Static	Dyn					
A020	2.000	2.500	2.186	2.314	2.369	789	331	2,281	967	682	323	1,710	793	772	367	0.10
A025	2.500	3.000	2.686	2.814	2.869	968	387	2,785	1,106	830	363	2,097	912	1,154	506	0.13
A030	3.000	3.500	3.186	3.314	3.367	1,146	435	3,298	1,239	994	413	2,475	1,014	1,603	667	0.15
A035	3.500	4.000	3.686	3.814	3.867	1,312	471	3,798	1,359	1,144	453	2,856	1,118	2,139	846	0.18
A040	4.000	4.500	4.186	4.314	4.367	1,497	514	4,309	1,476	1,293	486	3,229	1,215	2,748	1,035	0.19
A042	4.250	4.750	4.436	4.564	4.615	1,585	530	4,552	1,538	1,374	505	3,414	1,268	3,073	1,130	0.20
A045	4.500	5.000	4.686	4.814	4.865	1,660	552	4,810	1,584	1,447	521	3,608	1,313	3,425	1,242	0.22

A047	4.750	5.250	4.936	5.064	5.115	1,753	577	5,062	1,640	1,524	548	3,792	1,355	3,790	1,357	0.23
A050	5.000	5.500	5.186	5.314	5.365	1,841	596	5,313	1,693	1,597	569	3,988	1,403	4,186	1,462	0.24
A055	5.500	6.000	5.686	5.814	5.863	2,026	620	5,824	1,801	1,750	593	4,369	1,484	5,021	1,700	0.25
A060	6.000	6.500	6.186	6.314	6.363	2,195	662	6,328	1,905	1,906	634	4,742	1,574	5,936	1,968	0.28
A065	6.500	7.000	6.686	6.814	6.861	2,370	699	6,837	2,004	2,052	660	5,122	1,653	6,915	2,232	0.30
A070	7.000	7.500	7.186	7.314	7.361	2,543	736	7,344	2,105	2,204	693	5,507	1,735	7,988	2,515	0.31
A075	7.500	8.000	7.686	7.814	7.861	2,721	763	7,849	2,195	2,353	728	5,880	1,812	9,122	2,801	0.34
A080	8.000	8.500	8.186	8.314	8.359	2,892	796	8,355	2,280	2,502	751	6,264	1,895	10,333	3,111	0.38
A090	9.000	9.500	9.186	9.314	9.357	3,240	853	9,364	2,472	2,817	810	7,026	2,045	12,997	3,774	0.44
A100	10.000	10.500	10.186	10.314	10.355	3,595	914	10,376	2,644	3,118	878	7,789	2,183	15,948	4,472	0.50
A110	11.000	11.500	11.186	11.314	11.353	3,943	975	11,386	2,810	3,412	935	8,544	2,324	19,210	5,223	0.52
A120	12.000	12.500	12.186	12.314	12.349	4,294	1,037	12,395	2,978	3,726	986	9,304	2,450	22,777	6,014	0.56

315.823.1406

AurotekTSBInc@twcny.rr.com

Aurotek TSB, Inc
154 Furnace St.
Little Falls, NY 13365

Voice: 315.823.1406
Fax: 315.823.1924

